

## Spare Parts

<b><u>Spare Part Groups</u></b>			<b><u>Page</u></b>
Series 2000 -	Basic Cylinder -	Ø10mm - Ø50mm	5.1/2
Series 2000 -	Piston -	Ø10mm - Ø25mm	5.1/4
Series 2000 -	Piston -	Ø32mm - Ø50mm	5.1/6
Series 2000 -	Joint Clamp -	Ø25mm - Ø50mm	5.1/8
Series 2000 -	NR50 -	Ø16mm - Ø50mm	5.1/10
Series 2000 -	Powerguide -	Ø25mm, Ø32mm, Ø50mm	5.1/12
Series P120 -	Basic Cylinder -	Ø40mm - Ø80mm	5.1/14
Series P120 -	Short Piston -	Ø40mm - Ø80mm	5.1/16
Series P120 -	Long Piston -	Ø40mm - Ø80mm	5.1/18
All Series-	Service Packs-	Ø10mm - Ø80mm	5.1/20

## Spare Parts

### Series 2000 - Basic Cylinder - Ø10mm - Ø50mm

Item	Description	10mm	16mm	25mm	32mm	40mm	50mm
1	Cylinder Barrel	2152-0001+S	2152-0101+S	2152-0201+S	2152-0301+S	2152-0404+S	2152-0502+S
2	Outer Band	2080-0001+S	2080-0101+S	2080-0201+S	2080-0301+S	2080-0404+S	2080-0502+S
3	Inner Band	2192-0001+S	2192-0101+S	2192-0201+S	2192-0301+S	2192-0403+S	2192-0502+S
4	End Cap - Right (B)	3016	2164-0154	2164-0258	2164-0352	2164-0456	2164-0552
4.1	End Cap - Right (V)	3028	2714-0154	2714-0258	2714-0352	2714-0454	2714-0552
5	O-Ring - Cushion Screw (B)	N/A	0766	1252-1102	1252-1102	1252-1102	1252-1102
5.1	O-Ring - Cushion Screw (V)	N/A	0767	1262-1102	1262-1102	1262-1102	1262-1102
6	Cushion Screw	N/A	0734	0409	2072-0202	2072-0202	2072-0202
7	N/A						
8	O-Ring - Cushion Pipe (B)	3023	0732	1250-0301	1250-0304	1250-0307	1250-0311
8.1	O-Ring - Cushion Pipe (V)	3029	0733	1261-0301	1261-0304	1261-0307	1261-0311
9	End Cap - Left (B)	3015	2164-0153	2164-0257	2164-0351	2164-0455	2164-0551
9.1	End Cap - Left (V)	3027	2714-0153	2714-0257	2714-0351	2714-0453	2714-0551
10*	O-Ring/Gasket End Cap (B)	N/A	N/A	3119	2060-0301	1252-0123	1252-0126
10.1*	O-Ring/Gasket End Cap (V)	N/A	N/A	2061-0201	2061-0301	1262-0123	1262-0126
11	Outer Band Lock Screws	2809	0847	1033-0304	1033-0404	1033-0404	1033-0404
12	Outer Band Lock	3022	0738	2062-0201	2062-0301	2062-0301	2062-0301
13	Inner Band Lock Screws	0846	0846	1024-0304	1024-0405	1024-0405	1024-0405
14	Inner Band Lock	3021	0736	2078-0201	2078-0301	2078-0301	2078-0501
15	End Cap Screw	0735	0735	2014-0201	2014-0351	2014-0351	2014-0551
19	Cushion Pipe	N/A	N/A	2211-0202	2211-0301	2211-0401	2211-0501
**	Service Pack-1 Piston (B)	SP10-B-1 xS	SP16-B-1 xS	SP25-B-1 xS	SP32-B-1 xS	SP40-B-1 xS	SP51-B-1 xS
**	Service Pack-1 Piston (V)	SP10-V-1 xS	SP16-V-1 xS	SP25-V-1 xS	SP32-V-1 xS	SP40-V-1 xS	SP51-V-1 xS
**	Service Pack-2 Piston (B)	SP10-B-2 xS	SP16-B-2 xS	SP25-B-2 xS	SP32-B-2 xS	SP40-B-2 xS	SP51-B-2 xS
**	Service Pack-2 Piston (V)	SP10-V-2 xS	SP16-V-2 xS	SP25-V-2 xS	SP32-V-2 xS	SP40-V-2 xS	SP51-V-2 xS
	Seal Kit-1 Piston (B)	2790-0001	2790-0101	2790-0202	2790-0301	2790-0402	2790-0502
	Seal Kit-1 Piston (V)	2791-0001	2791-0101	2791-0202	2791-0301	2791-0402	2791-0502
	Seal Kit-2 Piston (B)	2790-0001-2	2790-0101-2	2790-0202-2	2790-0301-2	2790-0402-2	2790-0502-2
	Seal Kit-2 Piston (V)	2791-0001-2	2791-0101-2	2791-0202-2	2791-0301-2	2791-0402-2	2791-0502-2

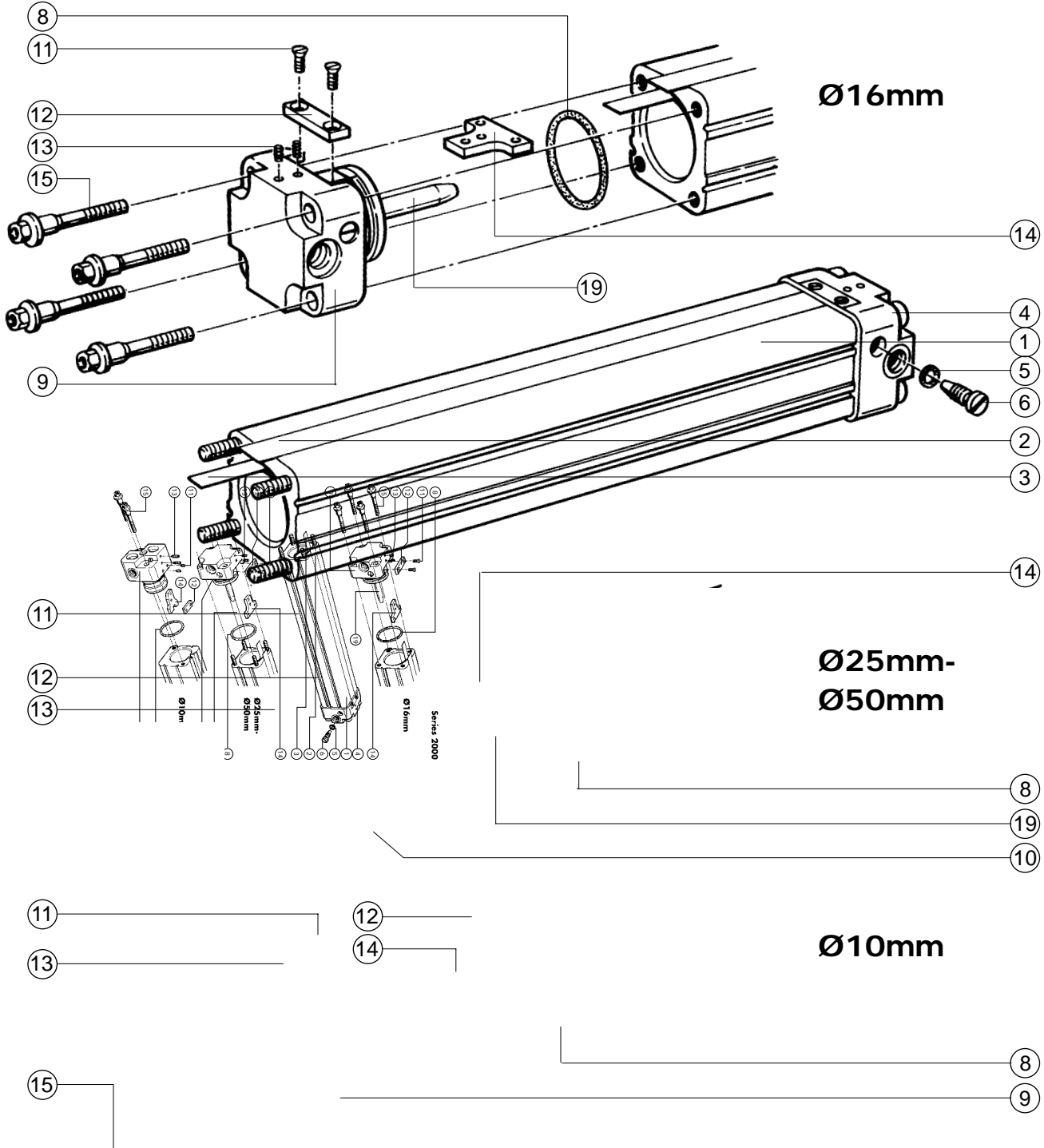
(B) = Buna-N

(V) = Viton

\*Note: Ø25mm - Ø50mm cylinders have a two-part end cap/cushion pipe assembly.  
A gasket (Ø25mm - Ø32mm) or O-Ring (Ø40mm - Ø50mm) is fitted between the two parts.  
(These components are not shown in the illustration on page 5.1/3)

\*\*Note: Please identify stroke "S" required when ordering.

### Series 2000



## Spare Parts

### Series 2000 - Piston - Ø10mm - Ø25mm

Item	Description	10mm	16mm	25mm
20	Piston Seal (B)	3035	0745	2050-0201
20.1	Piston Seal (V)	3096	0746	2052-0201
21	Cushion Seal (B)	N/A	0751	2054-0201
21.1	Cushion Seal (V)	N/A	0752	2056-0201
22*	Complete Piston	3053	1853	0896
23	Screw - Piston Mount	3583	0754	2702
24	Bearing Strip	2798-0001	2798-0101	2798-0202
25	Nut - Piston Mount	N/A	0796	N/A
26	Scraper	2238-0001	2238-0101	0155
27	Piston Mount - NR20	3052	1815	0898
28	Bracket - NR25 Mount	N/A	N/A	2115-0202
29	Fork Bracket	3056	0758	2120-0202
31	O-Ring - Yoke (B)	N/A	0747	1045
31.1	O-Ring - Yoke (V)	N/A	0748	1046
39	Carrier Pin			

(B) = Buna-N

(V) = Viton

Note: Ø25mm cylinders purchased after 1994 with floating mount NR25, utilize items 28, 29, 33 and 39 detailed on page 5.1/7.

\*Note: P/N: 0896 refers to new piston design introduced 10/94. Consult factory for earlier constructed cylinders.

## Spare Parts

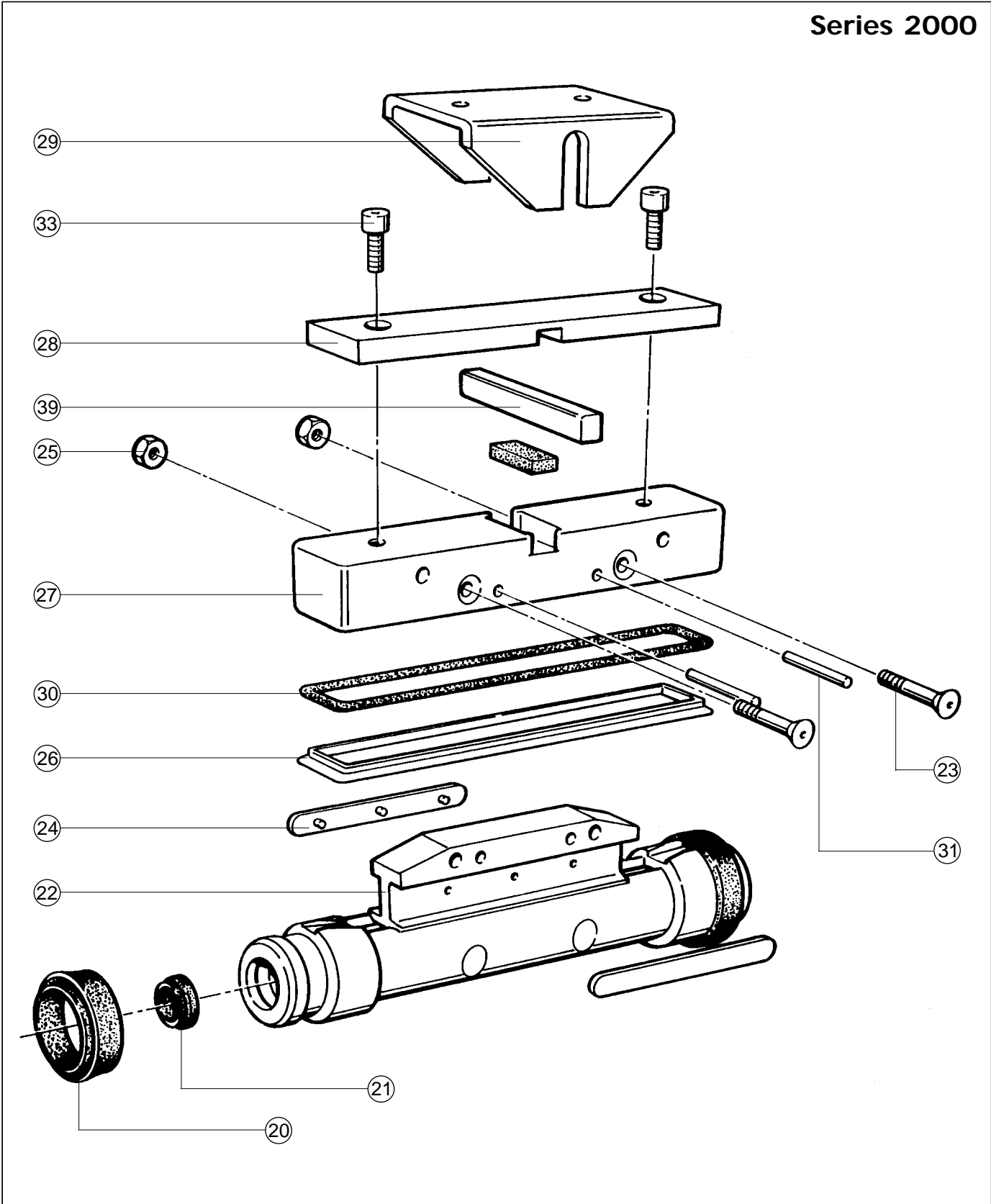
### Series 2000 - Piston - Ø32mm - Ø50mm

Item	Description	25mm	32mm	40mm	50mm
20	Piston Seal (B)		2050-0301	2050-0403	2050-0502
20.1	Piston Seal (V)		2052-0301	2052-0401	2052-0502
21	Cushion Seal (B)		1235-1000	1235-1200	1235-1600
21.1	Cushion Seal (V)		1236-1000	1236-1200	1236-1600
22	Complete Piston		2664-0302	2664-0404	2664-0502
23	Screw - Piston Mount		1008-0517	1008-0517	1008-0517
24	Bearing Strip		2798-0301	2798-0402	2798-0501
25	Nut - Piston Mount		1046-0500	1046-0500	1046-0500
26	Scraper		2238-0301	2238-0301	2238-0501
27	Piston Mount - NR20		2110-0351	2110-0351	2110-0552
28	Bracket - NR25 Mount	2115-0202	2115-0301	2115-0301	2115-0501
29	Fork Bracket	2120-0202	2120-0301	2120-0301	2120-0501
30	O-Ring - Yoke (B)		1270-0253	1270-0253	1270-0265
30.1	O-Ring - Yoke (V)		1261-0253	1261-0253	1261-0265
31	Tension Pin		1108-0532P	1108-0532P	1108-0532P
33	Screw - NR25 Mount	1000-0506	1004-0710	1004-0710	1004-0912
39	Carrier Pin	2786-0202	2786-0301	2786-0301	2786-0501

(B) = Buna-N

(V) = Viton

Series 2000



## Spare Parts

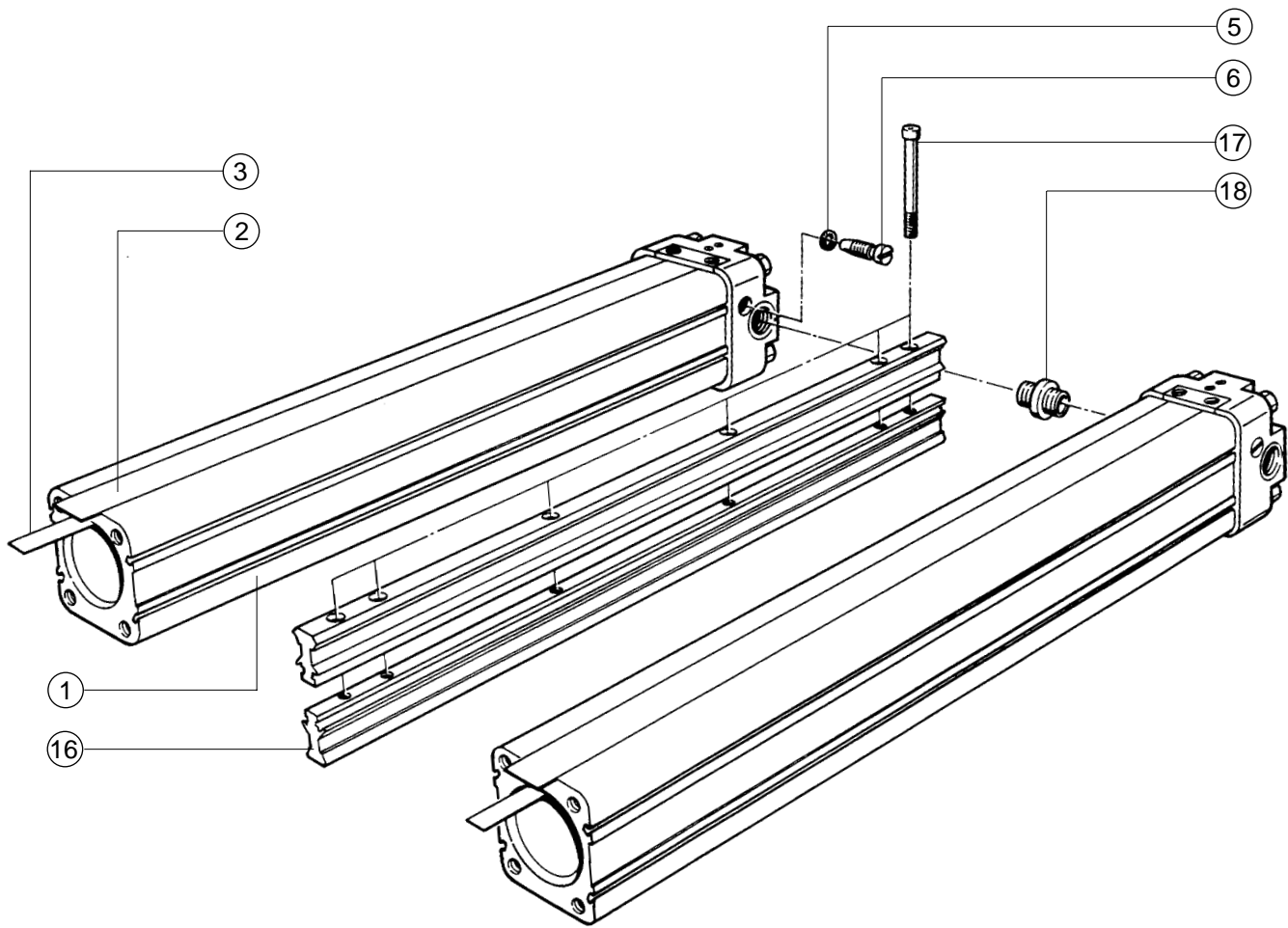
### Series 2000 - Joint Clamp - Ø25mm - Ø50mm

Item	Description	25mm	32mm	40mm	50mm
1	Cylinder Barrel	2152-0201+S	2152-0301+S	2152-0404+S	2152-0502+S
2	Outer Band	2080-0201+S	2080-0301+S	2080-0404+S	2080-0502+S
3	Inner Band	2192-0201+S	2192-0301+S	2192-0403+S	2192-0502+S
5	O-Ring - Cushion Screw (B)	1252-1102	1252-1102	1252-1102	1252-1102
5.1	O-Ring - Cushion Screw (V)	1262-1102	1262-1102	1262-1102	1262-1102
6	Cushion Screw	2072-0202	2072-0202	2072-0202	2072-0202
16	Joint Clamp Rail - NR6	2746-0201+S	2746-0301+S	2746-0401+S	2746-0502+S
17	Screw - Joint Clamp Rail	1000-0314	1000-0315	1000-0317	1000-0517
18	Connection Pipe	2774-0201	2774-0301	2774-0301	2774-0501

(B) = Buna-N

(V) = Viton

### Series 2000



## Spare Parts

Series 2000 - NR50 - Ø16mm - Ø50mm

Item	Description	16mm	25mm	32mm	40mm	50mm
45	Link Plate	3328	2845-0201	2845-0301	2845-0401	2845-0501
45.1*	Link Plate	N/A	2845-0202	2845-0302	2845-0402	2845-0502
46	Guide Rail	3265	2263-0201	2263-0301	2263-0401	2263-0501
47	End Plate	3323	2847-0201	2847-0301	2847-0401	2847-0501
47.1*	End Plate	N/A	2847-0201	2847-0302	2847-0402	2847-0502
48	Connection Plate	3331	2846-0201	2846-0301	2846-0301	2846-0501
49	Screw - Guide Rail Clamp	3306	1000-0315	1000-0416	1000-0418	1000-0518
50	Guide Rail Clamp	2227-0101	2227-0201	2227-0301	2227-0301	2227-0501
51	Adjustment Screw	1041	1020-0506	1020-0506	1020-0506	1020-0506
51.1*	Adjustment Screw	N/A	1020-0406	1020-0406	1020-0406	1020-0506
52	Bearing Strips/Pressure Plates	2799-0101	2799-0201	2799-0301	2799-0401	2799-0501
52.1*	Bearing Strips/Pressure Plates	N/A	2799-0202	2799-0302	2799-0402	2799-0502
53	Screw - End Plate	3278	1036-0305	1036-0406	1036-0406	1036-0406
54	Screw - Connection Plate	3307	1016-0516	1016-0618	1016-0618	1016-0819
55	Shuttle	3321	2842-0201	2842-0351	2842-0451	2842-0551
55.1*	Shuttle	N/A	2842-0252	2842-0352	2842-0452	2842-0552
56	Lock Nut	N/A	1040-0500	1040-0500	1040-0500	1040-0500
56.1*	Lock Nut	N/A	1040-0400	1040-0400	1040-0400	1040-0500
**	Conversion Kit	N/A	2660-0252	2660-0352	2660-0452	2660-0552

(B) = Buna-N

(V) = Viton

\*Cylinders supplied after 06/94 are fitted with these updated items.

\*\*Conversion of old style NR50 shuttle to new style NR50 shuttle, replacing items 45, 47, 48, 51, 52, 53, 54, 55 and 56 can be accomplished using the "Conversion Kit" part numbers detailed above.

## Spare Parts

Series 2000 - Powerguide™ - Ø25mm, 32mm, Ø50mm

Item	Description	25mm	32mm	50mm
1	Carriage Plate	USCP-25/25	USCP-32/44	USCP-50/76
2	Concentric Journal	4007	4015	OSJ-54-C
3	Eccentric Journal	4008	4016	OSJ-54-E
4	Journal Cap Seals	4009	4017	OCS-54
5	Slide Plate	3462	3482	C-50/76
6	Back Plate	3461	3481	BP-50/76
7	Drive Block	4006	4014	SDB-50/76
8	Screw	0163	1000-0616	1006-0913
8.1	Screw, stainless steel	0164	1002-0616	1006-0913
9	Screw	4042	4043	9427-1020
9.1	Screw, stainless steel	N/A	N/A	N/A
10	Screw	Included in Item No. 4		
11	Washer	Included in Item No. 4		
12	Location Bracket	4005	4013	SLB-50/76
13	Countersunk Screw	4011	1323	N/A

## Spare Parts

### Series P120 - Basic Cylinder - Ø40mm - Ø80mm

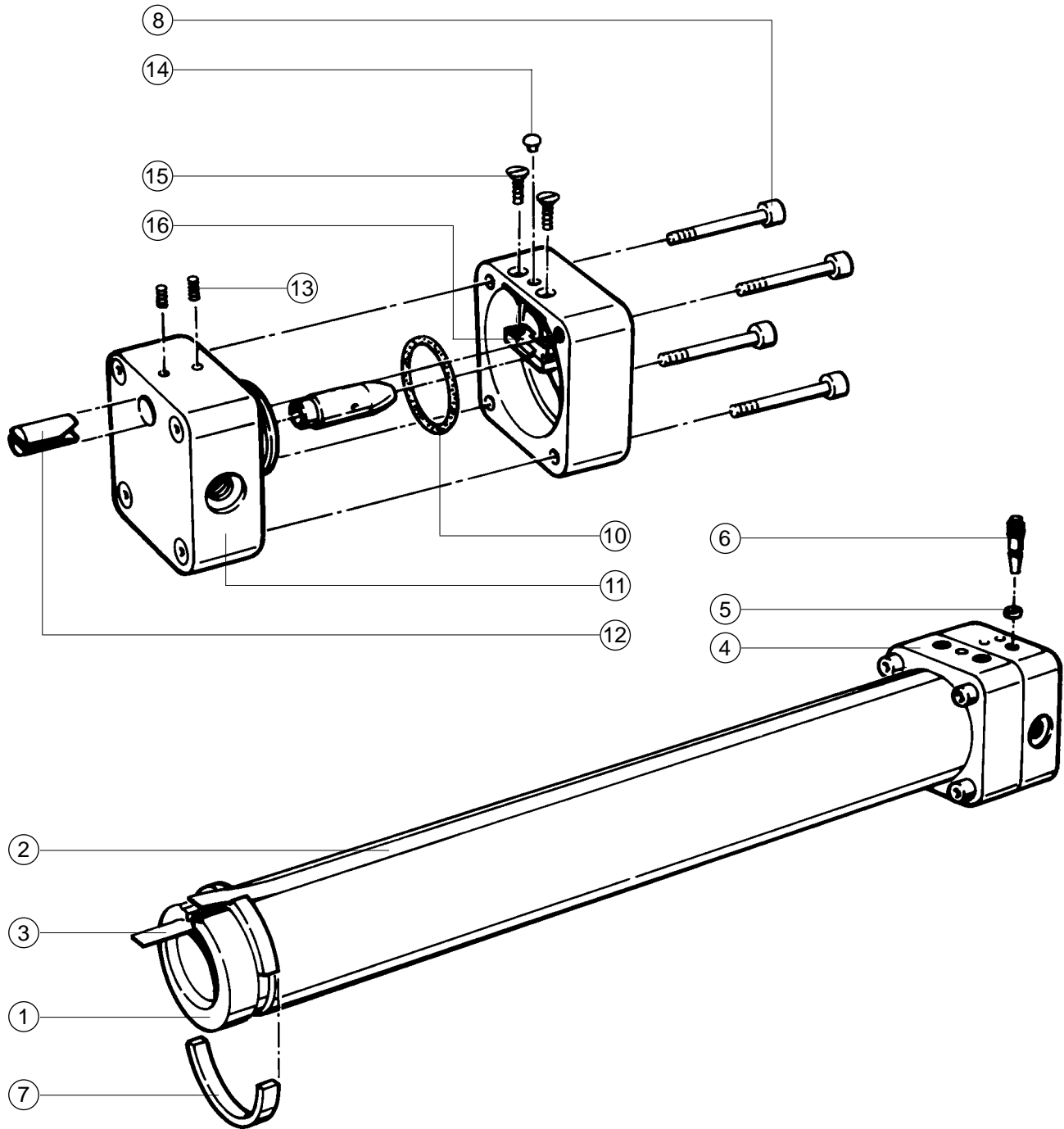
Item	Description	40mm	63mm	80mm
1	Cylinder Barrel S/	2152-0403+S	2152-0602+S	2152-0801+S
1.1	Cylinder Barrel L/	2153-0452+S	2153-0651+S	2153-0851+S
1.2	Magnet Strip	2244+0401+S	2244-0601+S	2074-0801
2	Outer Band S/	2080-0403+S	2080-0603+S	2080-0801+S
2.1	Outer Band L/	2081-0451+S	2081-0651+S	2081-0851+S
3	Inner Band S/	2192-0402+S	2192-0602+S	2192-0802+S
3.1	Inner Band L/	2193-0451+S	2193-0652+S	2193-0851+S
4	End Cap - Right (B)	2164-0454-R	2164-0654-R	2164-0852-R
4.1	End Cap - Right (V)	2714-0452-R	2714-0652-R	2714-0851-R
5	O-Ring - Cushion Screw (B)	1252-0101	1252-0101	1252-0101
5.1	O-Ring - Cushion Screw (V)	1262-0101	1262-0101	1262-0101
6	Cushion Screw	2072-0301	2072-0601	2072-0601
7	Lock Ring - Upper/Lower	2012-0404	2012-0604	2012-0802
8	Screw - End Cap	1004-0718	1004-0920	1004-1124
9	Cap Ring	2008-0406	2008-0606	2008-0802
10	O-Ring - End Cap (B)	1250-0307	1250-0503	1250-0506
10.1	O-Ring - End Cap (V)	1261-0307	1261-0503	1261-0506
11	End Cap - Left (B)	2164-0454-L	2164-0654-L	2164-0852-L
11.1	End Cap - Left (V)	2714-0452-L	2714-0652-L	2714-0851-L
12	Inner Band Lock Set	2078-0403	2078-0603	2078-0803
13	Screw - Inner Band Lock	1024-0605	1024-0605	1024-0807
14	Plug - Cap Ring	2068-0401	2068-0401	2068-0401
15	Screw - Outer Band Lock	1033-0505	1033-0506	1033-0506
16	Outer Band Lock	2062-0401	2062-0401	2062-0401
**	Service Pack-Short Piston (B)	SP124-B-S xS	SP126-B-S xS	SP128-B-S xS
**	Service Pack-Short Piston (V)	SP124-V-S xS	SP126-V-S xS	SP128-V-S xS
**	Service Pack-Long Piston (B)	SP124-B-L xS	SP126-B-L xS	SP128-B-L xS
**	Service Pack-Long Piston (V)	SP124-V-L xS	SP126-V-L xS	SP128-V-L xS
	Seal Kit-Short Piston (B)	2790-0401	2790-0601	2790-0801
	Seal Kit-Short Piston (V)	2791-0401	2791-0601	2791-0801
	Seal Kit-Long Piston (B)	2792-0401	2792-0601	2792-0801
	Seal Kit-Long Piston (V)	2793-0401	2793-0601	2793-0801

(B) = Buna-N

(V) = Viton

\*\*Note: Please identify stroke "S" required when ordering.

Series P120



## Spare Parts

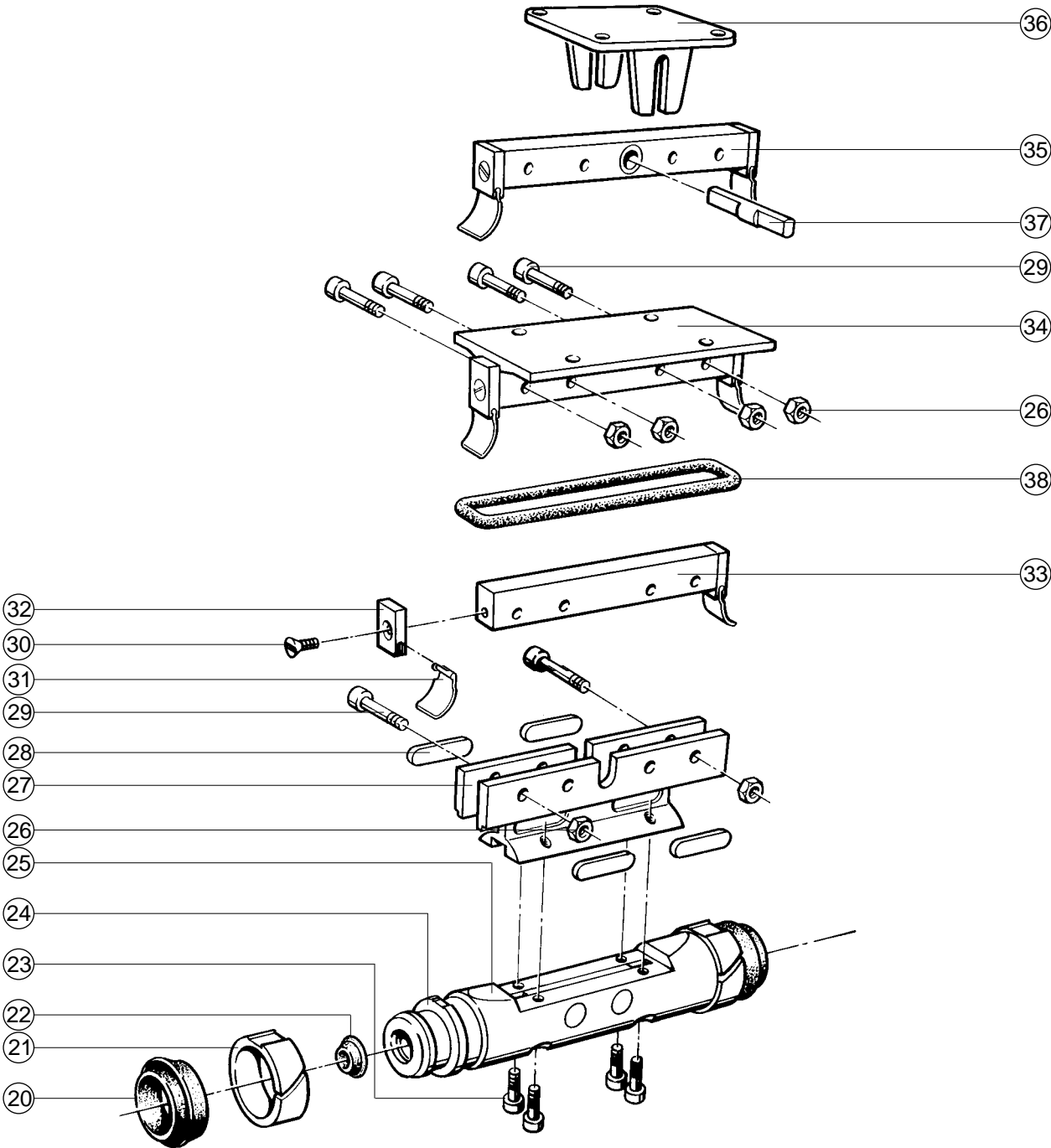
### Series P120 - Short Piston - Ø40mm - Ø80mm

Item	Description	40mm	63mm	80mm
20	Piston Seal (B)	2050-0403	2050-0603	2050-0802
20.1	Piston Seal (V)	2052-0401	2052-0601	2052-0801
21	Bearing Ring	2042-0402	2042-0602	2042-0801
22	Cushion Seal (B)	2054-0403	2054-0604	2054-0802
22.1	Cushion Seal (V)	2056-0403	2056-0604	2056-0802
23	Screw - Yoke	1000-0612	1000-0816	1000-0818
24	Piston Axle (non-magnetic) S/	2154-0404	2154-0604	2154-0802
24.1	Piston Axle (magnet 1 side) S/	N/A	2664-0602	2664-0802
25	Piston Axle (magnet 2 side) S/	2664-0402	2664-0602/D	2664-0802/D
26	Nut - Piston Mount	1040-0600	1040-0800	1040-1000
27	Piston Yoke	2031-0403	2031-0603	2031-0801
28	Bearing Strip	2798-0401	2798-0601	2798-0801
29	Screw - Piston Mount	1000-0616	1000-0816	1000-1018
30	Screw - Piston Mount End	1038-0507	1038-0507	1038-0507
31	Scraper	2067-0403	2067-0602	2067-0801
32	Piston Mount End Plate	2040-0404	2040-0604	2040-0801
33	Piston Mount - S/20	2778-0401	2778-0601	2778-0801
34	Piston Mount - S/22	2782-0401	2782-0601	2782-0801
35	Piston Mount - S/25	2186-0404	2186-0604	2186-0802
36	Fork Bracket	2120-0401	2120-0601	2120-0802
37	Carrier Pin	2122-0401	2122-0601	2122-0801
38	O-Ring - Yoke (B)	1272-0510	1272-0518	1272-0524
38.1	O-Ring - Yoke (V)	1262-0510	1262-0518	1262-0524

(B) = Buna-N

(V) = Viton

### Series P120



## Spare Parts

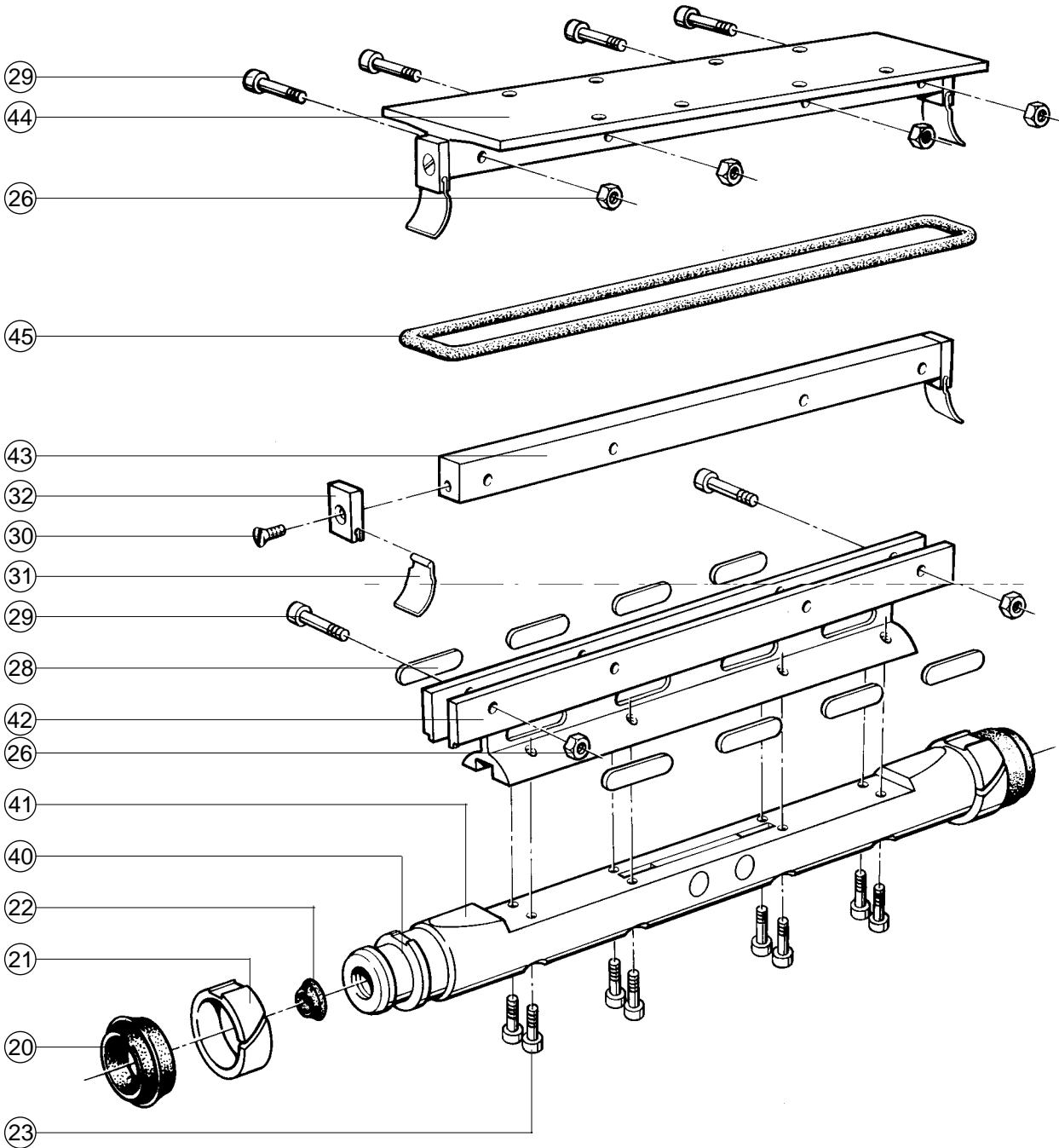
### Series P120 - Long Piston - Ø40mm - Ø80mm

Item	Description	40mm	63mm	80mm	
20	Piston Seal (B)	2050-0403	2050-0603	2050-0802	
20.1	Piston Seal (V)	2052-0401	2052-0601	2052-0801	
21	Bearing Ring	2042-0402	2042-0602	2042-0801	
22	Cushion Seal (B)	2054-0403	2054-0604	2054-0802	
22.1	Cushion Seal (V)	2056-0403	2056-0604	2056-0802	
23	Screw - Yoke	1000-0612	1000-0816	1000-0818	
26	Nut - Piston Mount	1040-0600	1040-0800	1040-1000	
28	Bearing Strip	2798-0401	2798-0601	2798-0801	
29	Screw - Piston Mount	1000-0616	1000-0816	1000-1018	
30	Screw - Piston Mount End	1038-0507	1038-0507	1038-0507	
31	Scraper	2067-0403	2067-0602	2067-0801	
32	Piston Mount End	2040-0404	2040-0604	2040-0801	
40	Piston Axle (non-magnetic) L/	2156-0452	2156-0652	2156-0852	
40.1	Piston Axle (magnet 1 side) L/	N/A	2666-0651	2666-0851	
41	Piston Axle (magnet 2 side) L/	2666-0451	2666-0651/D	2666-0851/D	
42	Piston Yoke	2033-0403	2033-0603	2033-0801	
43	Piston Mount - L/26	2780-0401	2780-0601	2780-0801	
44	Piston Mount - L/28	2784-0401	2784-0601	2784-0801	
45	O-Ring - Yoke (B)	1272-0526	1272-0538	1272-0542	
45.1	O-Ring - Yoke (V)	1262-0526	1262-0538	1262-0542	

(B) = Buna-N

(V) = Viton

### Series P120



## Spare Parts

Service Packs - Series 2000 / Series P120 - All bore sizes.

Designation		Bore Sizes					
Series 2000		10mm	16mm	25mm	32mm	40mm	50mm*
<b>Buna-N Service Pack</b>	Part Number	SP10-B-1	SP16-B-1	SP25-B-1	SP32-B-1	SP40-B-1	SP51-B-1
<b>Single Piston</b>							
<b>Viton Service Pack</b>	Part Number	SP10-V-1	SP16-V-1	SP25-V-1	SP32-V-1	SP40-V-1	SP51-V-1
<b>Single Piston</b>							
<b>Buna-N Service Pack</b>	Part Number	SP10-B-2	SP16-B-2	SP25-B-2	SP32-B-2	SP40-B-2	SP51-B-2
<b>Double Piston</b>							
<b>Viton Service Pack</b>	Part Number	SP10-V-2	SP16-V-2	SP25-V-2	SP32-V-2	SP40-V-2	SP51-V-2
<b>Double Piston</b>							

\*Use SP50... for 2020 (old style) versions of 50mm cylinders only.

Designation		Bore Sizes		
Series P120		40mm	63mm	80mm
<b>Buna-N Service Pack</b>	Part Number	SP124-B-S	SP126-B-S	SP128-B-S
<b>Short Piston</b>				
<b>Viton Service Pack</b>	Part Number	SP124-V-S	SP126-V-S	SP128-V-S
<b>Short Piston</b>				
<b>Buna-N Service Pack</b>	Part Number	SP124-B-L	SP126-B-L	SP128-B-L
<b>Long Piston</b>				
<b>Viton Service Pack</b>	Part Number	SP124-V-L	SP126-V-L	SP128-V-L
<b>Long Piston</b>				

### Service Pack Information

Service Packs, containing all the components necessary to completely rebuild an Origa rodless cylinder, are available. Each pack contains a complete seal kit, inner and outer bands, Origa grease tube, cleaning tool and repair instructions. It's all packaged in an easy-to-ship, easy-to-store box clearly labeled to indicate the cylinder type, bore and stroke it is intended for. Contact your local Origa distributor for more information.

### Ordering Information

