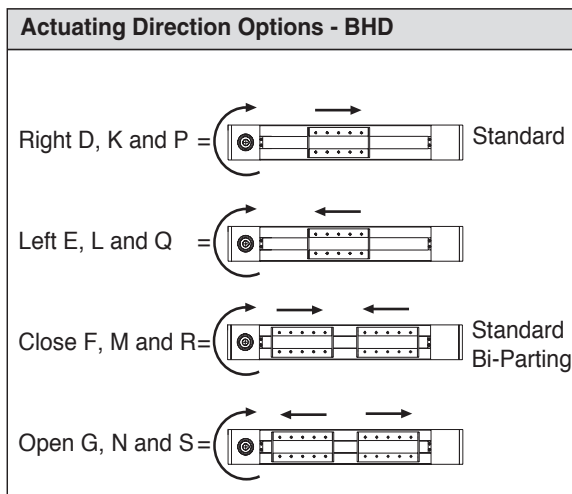
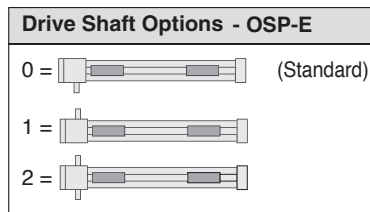


Ordering Instructions / Part Numbering System for OSP Series Electric Actuators

1	2	3	4	5	6
series	bore	lead	shaft	mount	double mount
E Electric	2 25	0 belt	0 right (belt)	0 if double (all and BHD)	0 if single (all and BHD)
	3 32	1	1 left (belt)	1 std mnt (nr20) (all and BHD)	1 std mnt (nr20) (all and BHD)
H Heavy	5 50	2 5mm BS	2 double (belt)	2 floating mount (nr25) (all)	2 floating mount (nr25) (all)
Duty		3	3	3 invert mount (nr30) (all)	3 invert mount (nr30) (all)
Roller		4 10mm BS	4 BHD Integrated Gearbox 3:1**	4 invert float mount (nr35) (all)	4 invert float mount (nr35) (all)
Guide		5	5 BHD Integrated Gearbox 5:1**	5 slideline (screw only)	5 slideline (screw only)
(BHD)		6 25mm BS	6 BHD Integrated Gearbox 10:1**	6 Powerslide ps25 (25)	6 ps25 (one mount, two carriages)(25)
		7	7	7 Powerslide ps35 (25,32)	7 ps35 (one mount, two carriages)(25,32)
R Heavy		8	8	8 Powerslide ps44 (25,32)	8 ps44 (one mount, two carriages)(25,32)
Duty		9	9	9 Powerslide ps60 (50)	9 ps60 (one mount, two carriages)(50)
Ball		A	A STD (screw)	A Powerslide ps76 (50)	A ps76 (one mount, two carriages)(50)
Guide		B BP (belt Bi-parting)	B 2 end (screw)	B	B
(BHDII)		C	C	C	C
		D	D Clamp Shaft-Right (BHD)	D	D
S Extending		E	E Clamp Shaft-Left (BHD)	E	E
Rod		F	F Clamp Shaft-Close (BHD)	F	F
Ball		G	G Clamp Shaft-Open (BHD)	G	G
screw		H	H	H	H
(OSP-SBR)		J	J	J	J
		K	K Hollow Shaft-Right (BHD)	K	K
		L	L Hollow Shaft-Left (BHD)	L	L
		M	M Hollow Shaft-Close (BHD)	M Guideline (all)	M Guideline (all)
		N	N Hollow Shaft-Open (BHD)	N	N
		P	P Clamp Shaft-Right-IS (BHD)*	P	P
		Q	Q Clamp Shaft-Left-IS (BHD)*	Q Proline/GDL (all)	Q Proline/GDL (all)
		R	R Clamp Shaft-Close-IS (BHD)*	R	R
		S	S Clamp Shaft-Open-IS (BHD)*	S	S
		T	T Obsolete (BHD)	T	T
		U	U Obsolete (BHD)	U	U
		V	V Obsolete (BHD)	V	V
		W	W Obsolete (BHD)	W	W
		X	X	X	X
		Y	Y	Y	Y
		Z special	Z special	Z special	Z special



*For use with intermediate shaft
**Consult factory before ordering

7*	8	9*	10	11	12	13	14	15	16	17	18
motor mount	screws & coating	support	center support qty	switch	switch qty	stroke (mm)					
0 none and BHD	0 std	0 none and BHD	0 none	0 none	0	-	0	0	0	0	0
1 mes-2504 (belt)(25)	1 stainless hardware	1		1 no reed KL3045 (all)		-					
2 mes-3204 (belt)(32)	2 xylan coated aluminum	2		2 nc reed KL3048 (all)		-					
3 mes-5004 (belt)(50)	3 stainless/xylan	3		3 pnp KL3054+4041(all)		-					
4 mes-5008 (belt)(50)	4 Purge Ports	4		4 npn KL3060+4041 (all)		-					
5 mei-2523 (belt)(25)	5 Purge / Stainless	5		5 nc pnp-BMF-PNP-ASSY+4041		-					
6 mei-3234 (belt)(32)	6 Purge / Stainless / Xylan	6		6 nc npn solid state		-					
7 mei-5034 (belt)(50)	7	7		7		-					
8 mgm-3234 (belt)(32)	8	8		8		-					
9 mgm-5034 (belt)(50)	9	9		9		-					
A mas-2501 (screw)(25)	A	A		A		-					
B mas-3204(screw)(32)	B	B D1 (all)		B		-					
C mas-5004P(screw)(50)	C	C E1 (all)		C		-					
D mas-5008(screw)(50)	D	D E2 (all)		D		-					
E mai-2517 (screw)(25)	E	E E3 (all)		E		-					
F mai-3223 (screw)(32)	F	F E4 (all)		F		-					
G mai-5034 (screw)(50)	G	G A1+D1 (25,32)		G		-					
H mas-5008p (screw)(50)	H	H B1+D1 (25,32)		H		-					
J mei-5042 (belt)(50)	J	J C1+D1 (50)		J		-					
K mai-3101 (screw)(32)	K	K A1+E1 (25,32)		K		-					
L mai-3234 (screw)(32)	L	L B1+E1 (25,32)		L		-					
M mei-3223 (belt)(32)	M	M C1+E1 (50)		M		-					
N mai-2523 (screw)(25)	N	N A2+E2 (25,32)		N		-					
P mgm-3223 (belt)(32)	P	P C2+E2 (50)		P		-					
Q mgm-5034S (screw)(50)	Q	Q A3+E3 (25,32)		Q		-					
R mgm-3223S (screw)(32)	R	R		R		-					
S mes-3208 (belt)(32)	S	S C3+E3 (50)		S		-					
T Belt Gear 1:1 (Screw Only)	T	T B4+E4 (25,32)		T		-					
U Belt Gear 2:1 (Screw Only)	U	U C4+E4 (50)		U		-					
V	V	V		V		-					
W	W	W		W		-					
X	X	X		X		-					
Y Optional BHD (see below)	Y	Y		Y		-					
Z special	Z special	Z special		Z special		-					

7* (BHD) Non-standard KB and KL dimensions must be specified on a separate line item (use "Z" in part number).

7* (BHD) Order motor mount and/or gearbox as a separate line item (contact customer service).

7* Contact customer service if non-standard motor mounting holes are required.

9* (BHD) Order supports as a separate line item.

9* Only one end support is supplied in the OSP-E part number. If more than one is required, please order additional end supports as a separate line item.



Electric Actuator Application Sheet

Distributor: _____

End-User: _____

Salesperson: _____

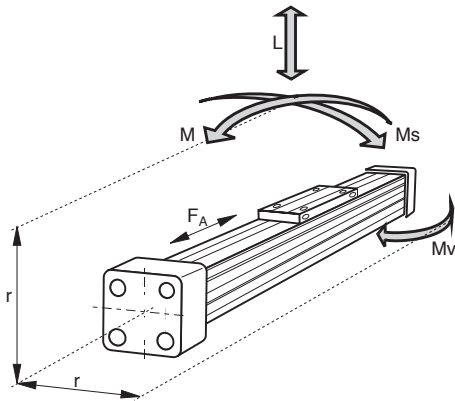
Phone: _____

Fax: _____

Stroke: _____ Time to make move: _____ Load: _____ Incline: _____

Check if load is externally supported

Actuator type: _____



M = _____

MS = _____

MV = _____

Description: _____

See Attached for info /a additional info

Special Features Required:

Switches Type _____ Qty. _____

Controller Needed

Servo Motor Needed

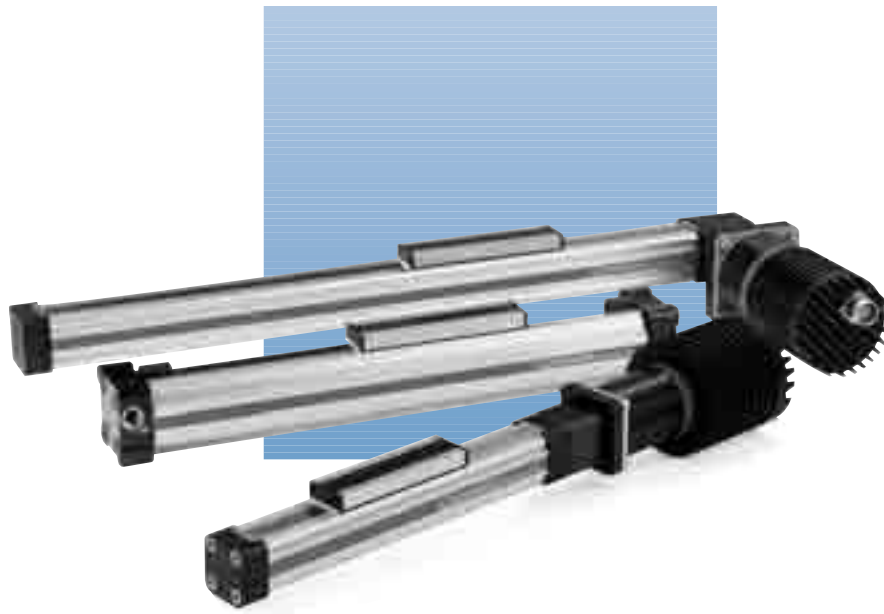
Stepper Motor Needed

Customer Supplied Motor

Please complete and fax to: 630/871-1515, Attention: Technical Support



Advice, service and sales
... worldwide and round
the clock



HOERBIGER-ORIGA CORPORATION • 100 West Lake Drive, Glendale Heights, IL 60139 • tel (630) 871-8300 • fax (630) 871-1515 • E-mail: info-hous-market@hoerbiger.com
HOERBIGER-ORIGA GmbH • Sudliche Romerstraße 15 • Postfach 11 10 • D-86972 Altenstadt • tel +49+8861 2211-0 • fax +49+8861 221-1305 • E-mail: pneu@hoerbiger.de
HOERBIGER-ORIGA PNEUMATIK GmbH • Johann-Giefing-Straße 12 • A-2700 Wiener Neustadt • tel (02622) 26071 • fax 26071-5 • E-mail: amarket@hoerbiger-origa.com
HOERBIGER-ORIGA Ltd. • Tewkesbury Industrial Estate • Tewkesbury G1.20 8ND, GB • tel +44+1684 850000 • fax 850555 • E-mail: marketing@hoerbiger-origa.com
HOERBIGER-ORIGA AB. • Box 67 • S-736 22 Kungors, Sweden • tel +46 227 4114 00 • fax +46 227 411 29 • E-mail: semarket@hoerbiger-origa.com
HOERBIGER-ORIGA GmbH • Industriestr. 8 • D-70794 Filderstadt • tel (07158) 1703-0 • fax 64870 • E-mail: dmarket@hoerbiger-origa.com
Internet: <http://www.hoerbigeroriga.com>
OSPE0105