

Accessories for BHD Linear Drive Systems Series OSP-E..BHD



Contents

Description	Page
End Cap Mountings	40
Mid-Section Support	41
Adaptor Profile	42
T-Nut Profile	43
Motor Mountings Coupling Housing	44
Profile Mountings	45

Linear Drive Accessories

End Cap Mountings

Size 25, 32, 50



For Linear Drive with integrated Roller Guide

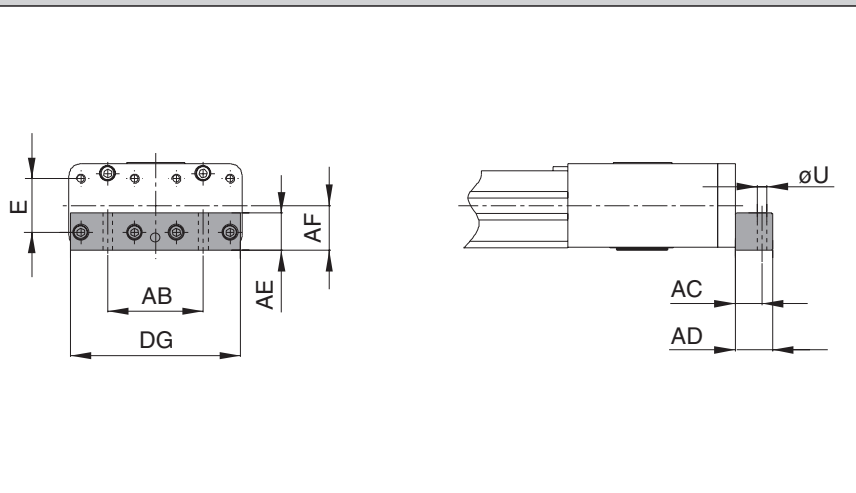
• Series OSP-E..BHD

On the end-face of each end cap there are eight threaded holes for mounting the actuator.

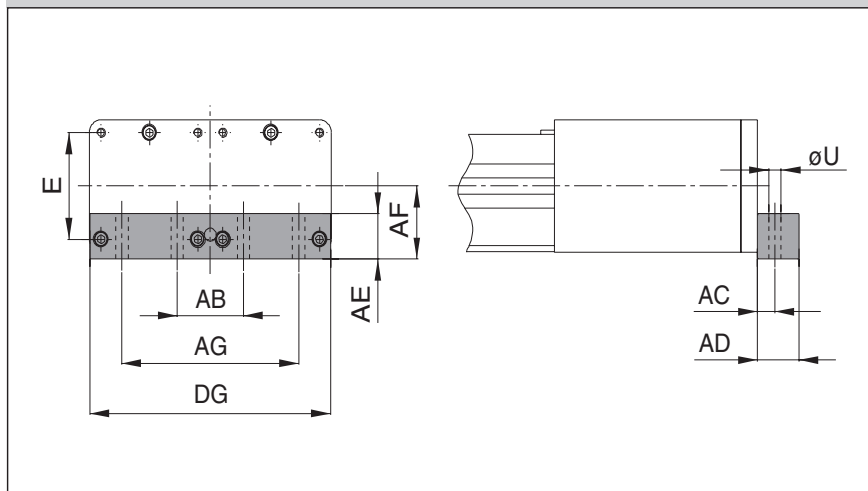
Material:
Anodized aluminium.

The mountings are supplied in pairs.

Series OSP-E25BHD to E32BHD: Type C25, C32



Series OSP-E50BHD: Type C50



Dimension Table (mm)

Series	Type	E	ØU	AB	AC	AD	AE	AF	AG	DG	Order No. *
OSP-E25BHD	C25	27	6.6	52	16	25	25	22	–	91	12266
OSP-E32BHD	C32	36	9	64	18	25	25	30	–	114	12267
OSP-E50BHD	C50	70	9	48	12.5	30	30	48	128	174	12268

(* = Pair)



Linear Drive Accessories

Mid-Section Support

Size 25, 32, 50



For Linear Drive with integrated Roller Guide

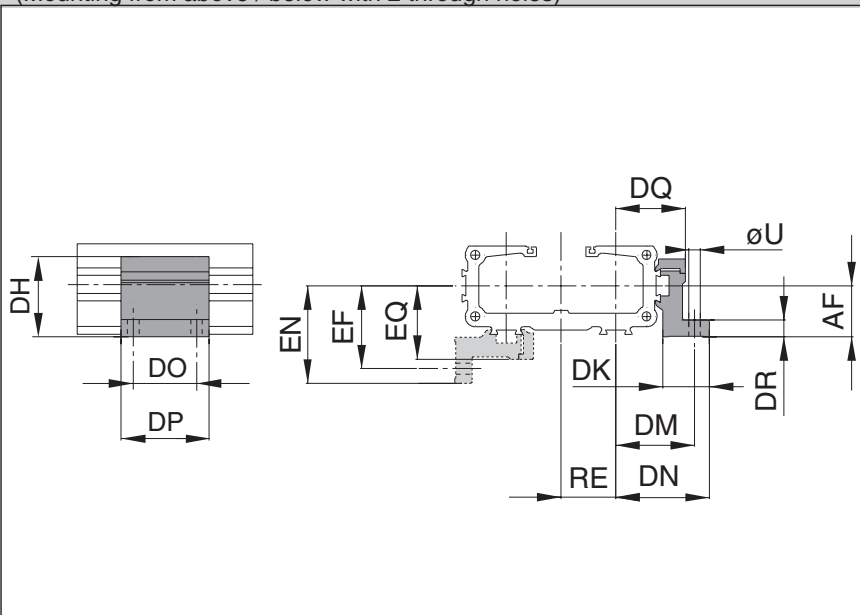
- Series OSP-E ..BHD

Note on Types E1 and D1:
The mid-section support can also be mounted on the underside of the actuator, in which case its distance from the center of the actuator is different.

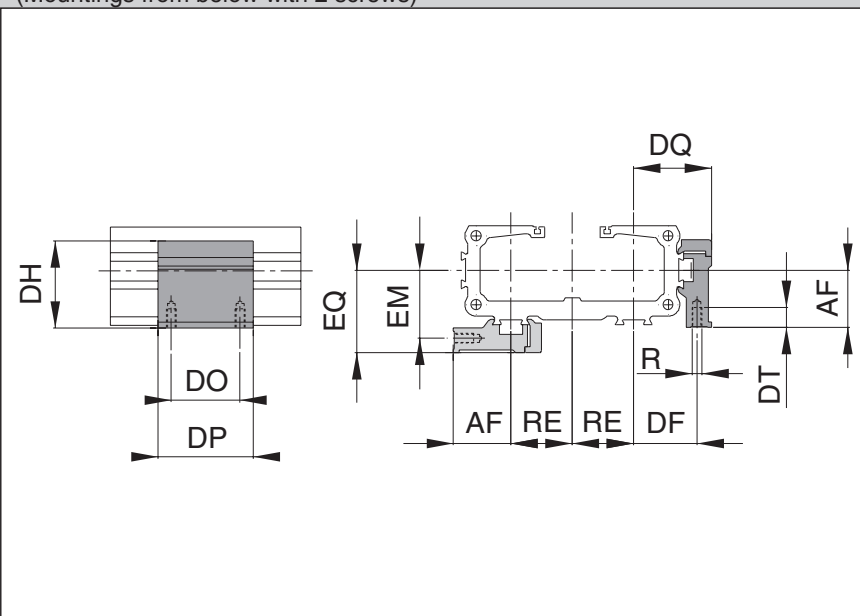
Stainless steel version on request



Series OSP-E25BHD to E50BHD: Type E1
(Mounting from above / below with 2 through holes)



Series OSP-E25BHD to E50BHD: Type D1
(Mountings from below with 2 screws)



Dimension Table (mm)

Series	R	U	AF	DF	DH	DK	DM	DN	DO	DP	DQ	DR	DT	EF	EM	EN	EQ	RE	Order No.	
																			TypeE1	TypeD1
OSP-E25	M5	5.5	22	27	38	26	40	47.5	36	50	34.5	8	10	41.5	28.5	49	36	26	20009	20008
OSP-E32	M5	5.5	30	33	46	27	46	54.5	36	50	40.5	10	10	48.5	35.5	57	43	32	20158	20157
OSP-E50	M6	7	48	40	71	34	59	67	45	60	52	10	11	64	45	72	57	44	20163	20162

Linear Drive Accessories Adaptor Profile

Size 25, 32, 50



For Linear Drive

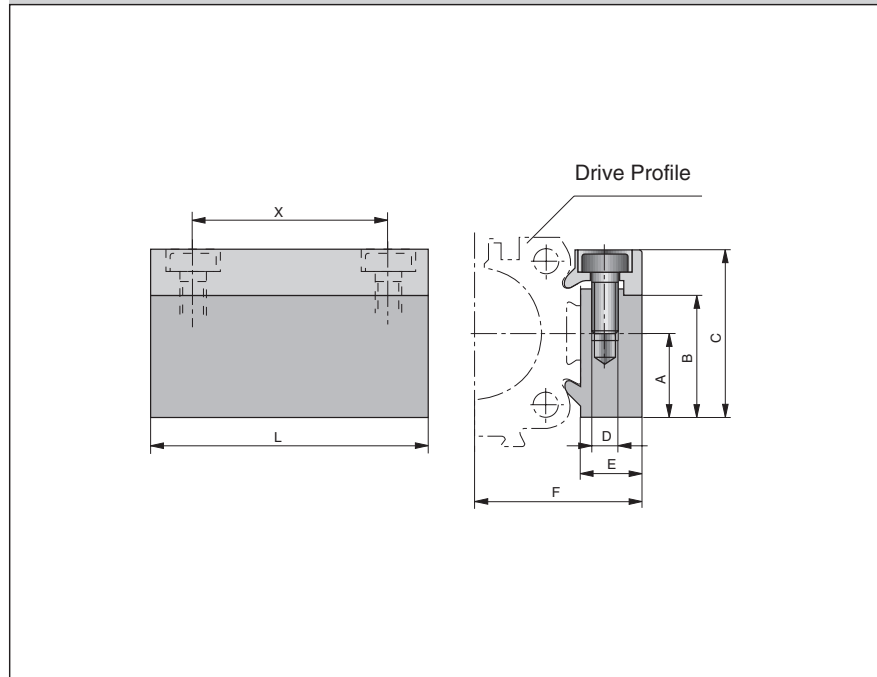
- Series OSP-E Belt
- Series OSP-E Screw
- Series OSP-E..BHD

Adaptor Profile OSP

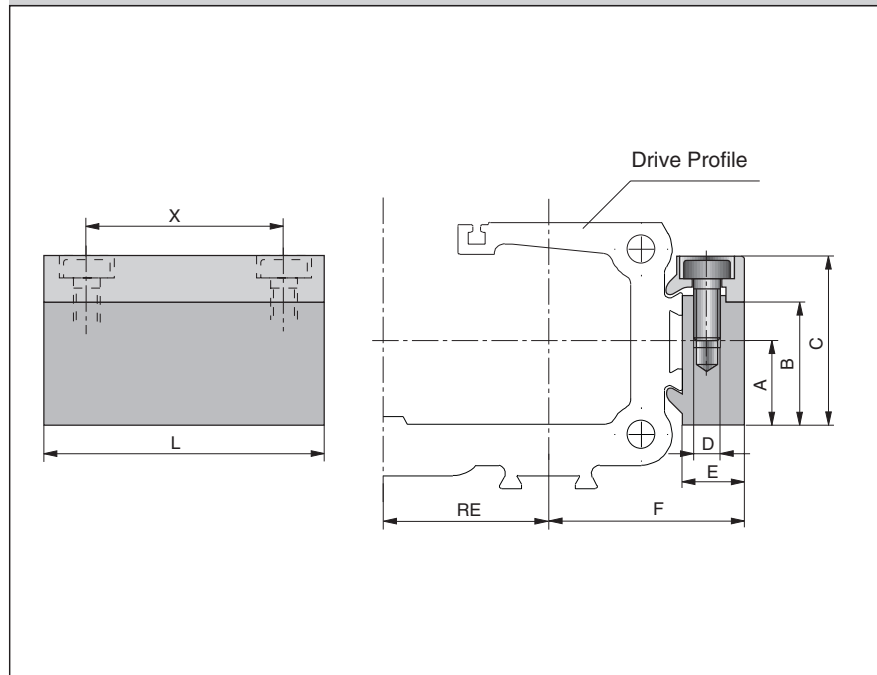
- A universal attachment for mounting of additional items
- Solid material



Dimensions Series OSP-E



Dimensions Series OSP-E..BHD

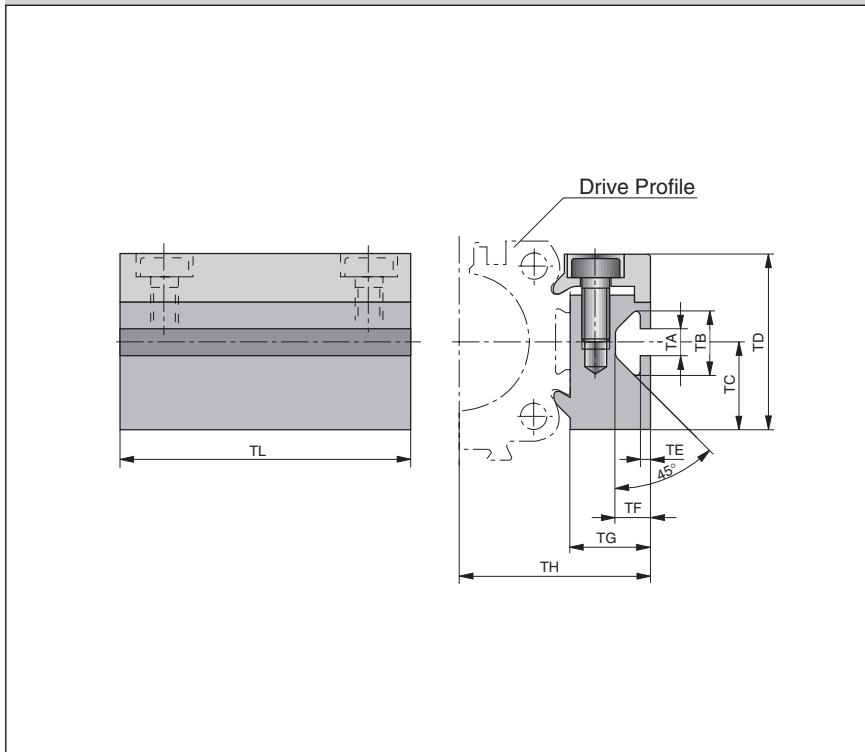


Dimension Table (mm)

Series	A	B	C	D	E	F	L	X	RE	Order No.	
										Standard	Stainless
OSP-E25	16	23	32	M5	10.5	30.5	50	36	26	20006	20186
OSP-E32	16	23	32	M5	10.5	36.5	50	36	32	20006	20186
OSP-E50	20	33	43	M6	14	52	80	65	44	20025	20267

The right to introduce technical modifications is reserved

Dimensions Series OSP-E



Linear Drive Accessories

T-Nut Profile

Size 25, 32, 50

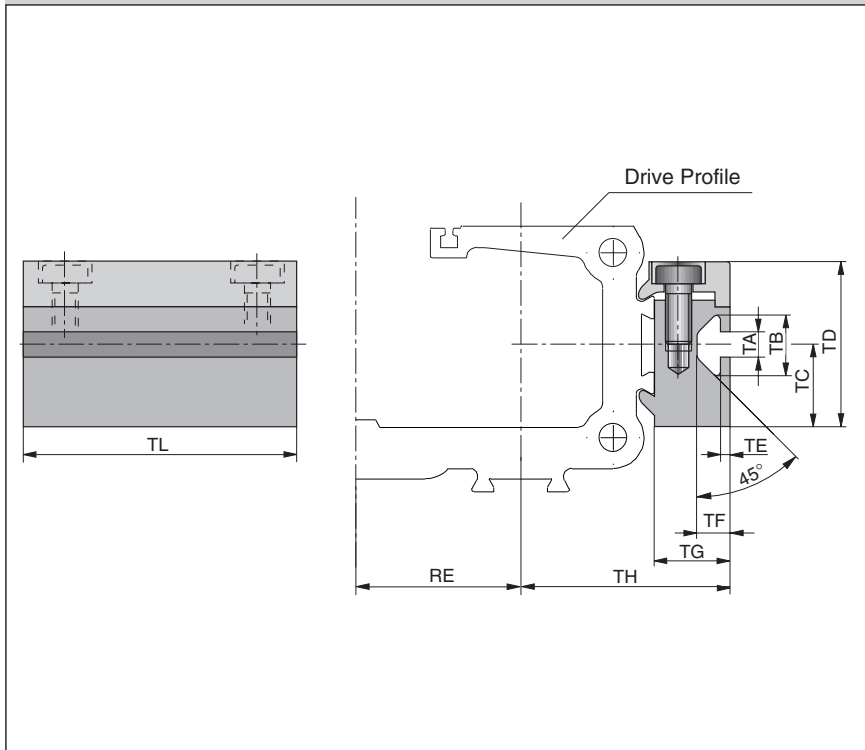


- For Linear Drive
- Series OSP-E Belt
 - Series OSP-E Screw
 - Series OSP-E..BHD

T-Nut Profile OSP

- A universal attachment for mounting with standard T-Nuts

Dimensions Series OSP-E..BHD



The right to introduce technical modifications is reserved

Dimension Table (mm)

Series	RE	TA	TB	TC	TD	TE	TF	TG	TH	TL	Order No.	
											Standard	Stainless
OSP-E25	26	5	11.5	16	32	1.8	6.4	14.5	34.5	50	20007	20187
OSP-E32	32	5	11.5	16	32	1.8	6.4	14.5	40.5	50	20007	20187
OSP-E50	44	8.2	20	20	43	4.5	12.3	20	58	80	20026	20268



Linear Drive Accessories

Motor Mountings

Coupling Housing

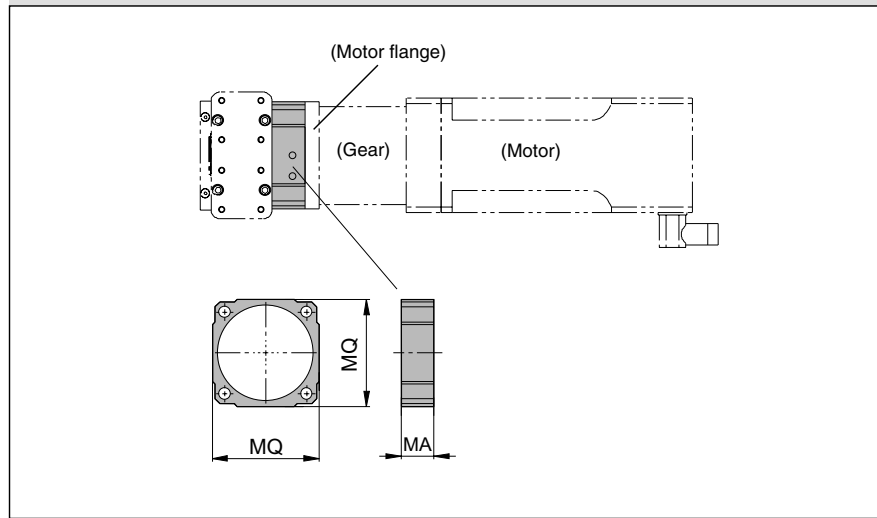
Size 25, 32, 50



• For Series OSP-E..BHD

The coupling housing is the mounting base for the gear or for the motor.

Coupling Housing (for motor)



Dimension Table (mm)

Series	MA	MQ	Order No.
OSP-E25BHD	22	76	12300
OSP-E32BHD	30	98	12301
OSP-E50BHD	41	128	12302

Motor Flange

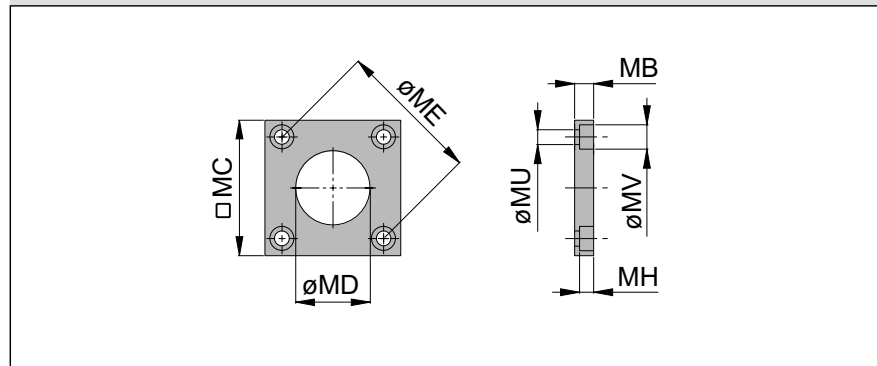
(Semi-finished)

Size 25, 32, 50

• For Series OSP-E..BHD

The semi-finished motor flange match the coupling housing above and has to be machined to fit actual gear or motor type.

Motor Flange (Semi-finished)



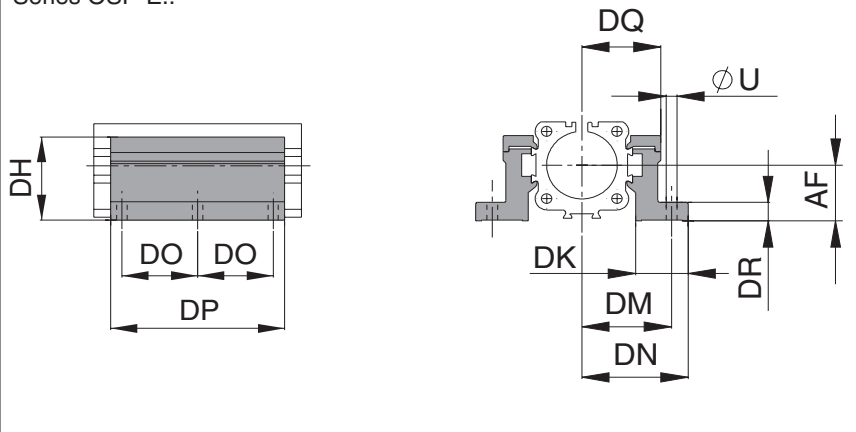
Dimension Table (mm)

Series	MB	MC	MD	ME	MH	MU	MV	Order No.
OSP-E25BHD	14	90	36	82	8.5	9	15	12308
OSP-E32BHD	14	100	55	106	10.5	11	18	12309
OSP-E50BHD	18	125	77	144	12.5	13.5	20	12310

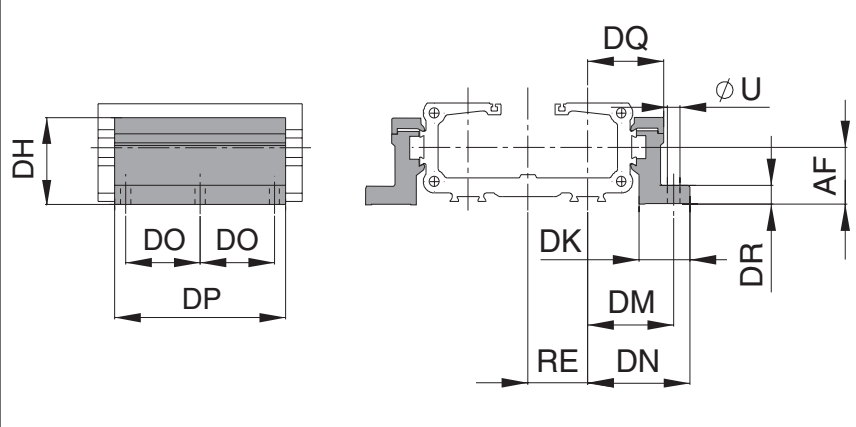


Series OSP-E25 to E50, Type MAE-..

Series OSP-E..



Series OSP-E..BHD



Linear Drive Accessories

Profile Mountings

Size 25, 32, 50



For Linear Drive

- Series OSP-E Belt
- Series OSP-E Screw
- Series OSP-E..BHD

Material:

Anodized aluminum

Stainless steel version on demand.

The mountings are supplied in pairs.

Weight (mass) [kg]	
Type	Weight (mass) [kg] (pair)
MAE-25	0.3
MAE-32	0.4
MAE-50	0.8

Dimension Table (mm)

Series	Type	R	U	AF	DF	DH	DK	DM	DN	DO	DP	DQ	DR	DT	EF	EM	EN	EQ	RE	Order No.
OSP-E25	MAE-25	M5	5.5	22	27	38	26	40	47.5	40	92	34.5	8	10	41.5	28.5	49	36	26	12278
OSP-E32	MAE-32	M5	5.5	30	33	46	27	46	54.5	40	92	40.5	10	10	48.5	35.5	57	43	32	12279
OSP-E50	MAE-50	M6	7	48	40	71	34	59	67	45	112	52	10	11	64	45	72	57	44	12280

The right to introduce technical modifications is reserved



